

## 应用于粉料的底吹式旋转阀

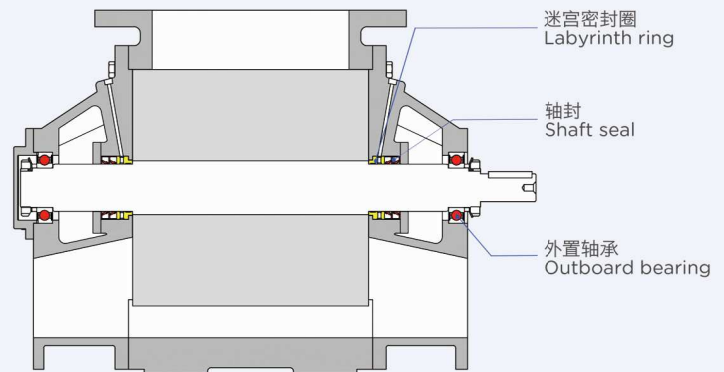
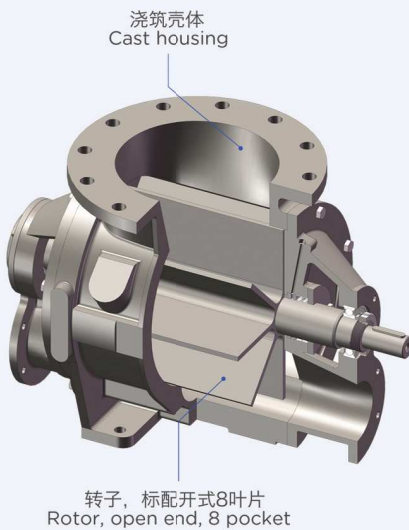
直吹型旋转阀可以直接接入气力输送系统，适用于食品、谷物、化学、铣削、烘烤、塑料和制药等行业，用于定量输送并能很好地控制空气泄漏量，适用于各种粉末和颗粒物料，在真空和压力环境都有不错的表现，也可用于无排气口的情况下运行。

## BLOW-THROUGH VALVE FOR POWDERS

Blow-Thru rotary airlock valves are ideal for the pneumatic conveying of free-flowing material in food, grain, chemical, milling, baking, plastics and pharmaceutical applications, suitable for both vacuum and pressure application on a wide variety of powders, operation possible without leakage gas venting.

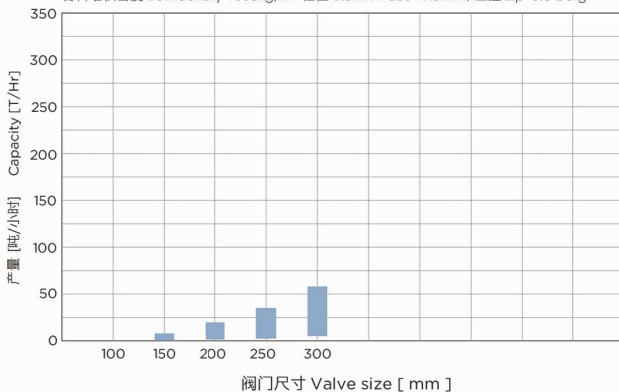


## 结构 STRUCTURES



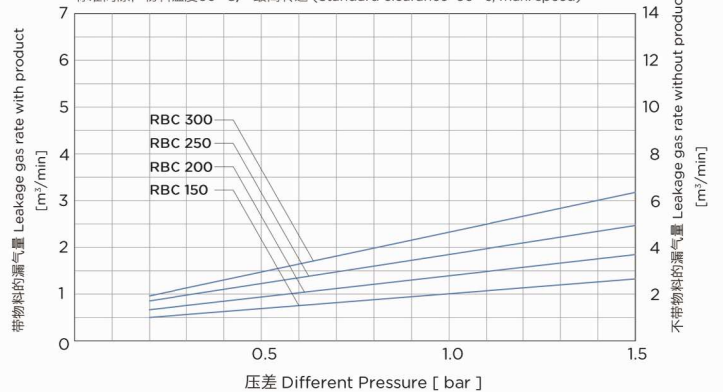
性能参考曲线 Performance diagram

物料堆积密度 Bulk density 1000kg/m<sup>3</sup> 粒径 0.6mm<d50<1.0mm, 压差 Δp=0.8 barg



漏气量参考曲线 Leakage gas Diagram

标准间隙, 物料温度60 °C, 最高转速 (Standard clearance 60 °C, max. speed)



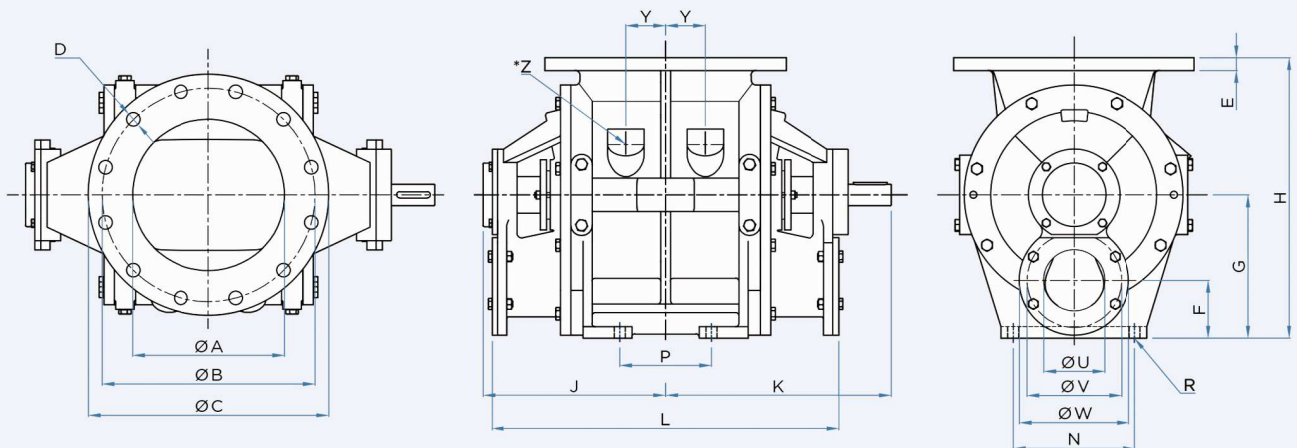
## 特点 FEATURES

- 材质为铸铁  
Standard valve manufactured cast iron
- 法兰钻孔尺寸标准: ANSI 150#, DIN PN10, JIS10K  
Drilled flanges in accordance with DIN, ANSI, JIS standard
- 标配外置轴承  
Outboard bearing are standard
- 在不超过250°C的高温下依然有良好的工作表现  
High temperature execution up to 250°C
- 工作压力不超过1.5bar (21PSI)  
Pressure difference up to 1.5 bar (21PSI)
- 标配开式8叶片  
Open ended rotor with 8 vans

## 选配 OPTIONS

- 叶片可选6叶片, 10叶片, 12叶片  
6 van, 10 van or 12 van rotor
- 转子类型: 闭式转子, 圆齿型转子, 小圆底转子, 可调、可换转子  
Rotor design: close end, radius pocket and adjustable-tip
- 壳体内部电镀铬硬化处理, 内衬碳化物耐磨层  
Interior coatings: hard chrome, tungsten, and Teflon
- 轴封根据需要, 采用气封或迷宫密封环  
Air purge shaft sealing
- 壳体排气孔  
Valve housing leakage gas venting
- 配件: 接近开关, 排气仓, 气体吹扫系统  
Accessories: speed monitor, vent box

## 尺寸 DIMENSIONS



## 技术参数 PRAMETERS

型号 Model	容积 Ltr/Rev	进料口尺寸 Inlet*							风送口尺寸 Blow through channel		
		ØA	ØB DIN	ØC DIN	D DIN	ØB ANSI	ØC ANSI	D ANSI	ØU	ØV	ØW
RBC 150	4	150	240	285	8×Ø22	241.3	279	8×Ø22.2	65	110	130
RBC 200	10	200	295	340	8×Ø22	298.4	343	8×Ø22.2	80	130	150
RBC 250	18	250	350	395	12×Ø22	361.9	406	8×Ø25.4	100	155	180
RBC 300	30	300	400	445	12×Ø22	431.8	483	8×Ø25.4	125	180	210

型号 Model	其它尺寸 Other Dimensions											
	E	F	G	H	J	K	L	N	P	R	Y	*Z
RBC 150	18	70	170	340	225	275	370	130	100	4×Ø16	37.5	1"
RBC 200	18	80	200	390	255	315	430	160	130	4×Ø16	55	1/4"
RBC 250	21	95	235	460	300	370	510	200	150	4×Ø18	65	1/4"
RBC 300	25	110	270	530	340	420	590	240	180	4×Ø18	85	1/4"

\*图形尺寸单位为毫米, 厂家保留技术修改的权利  
\*Note: Technical modification are possible, dimensions in mm